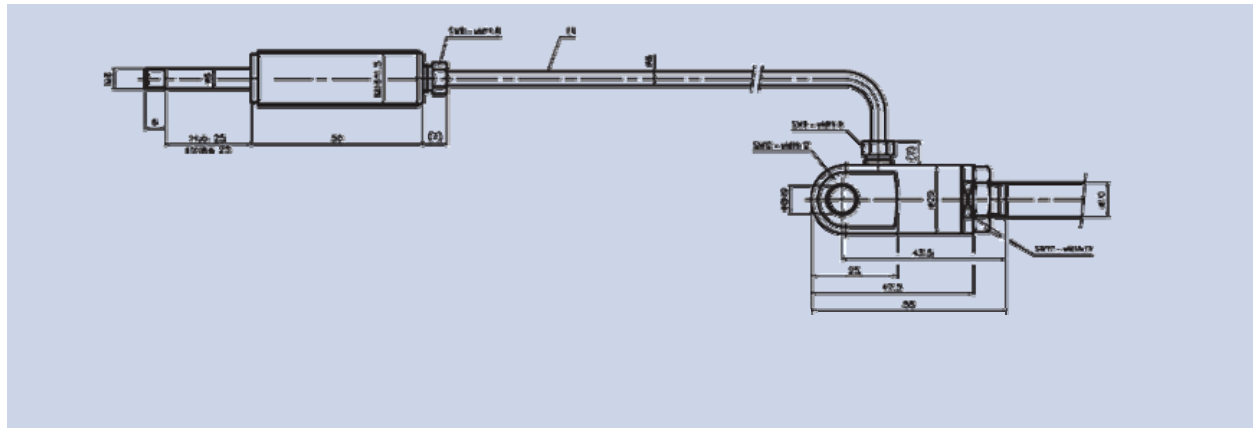
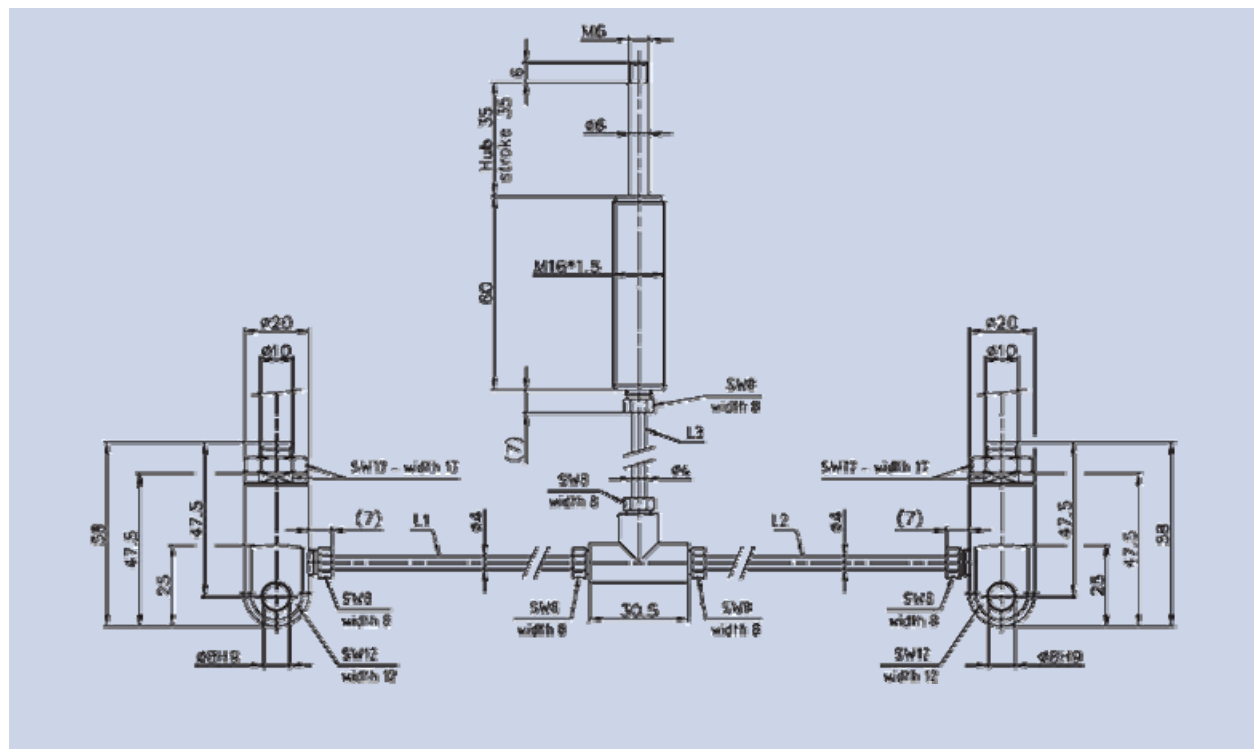


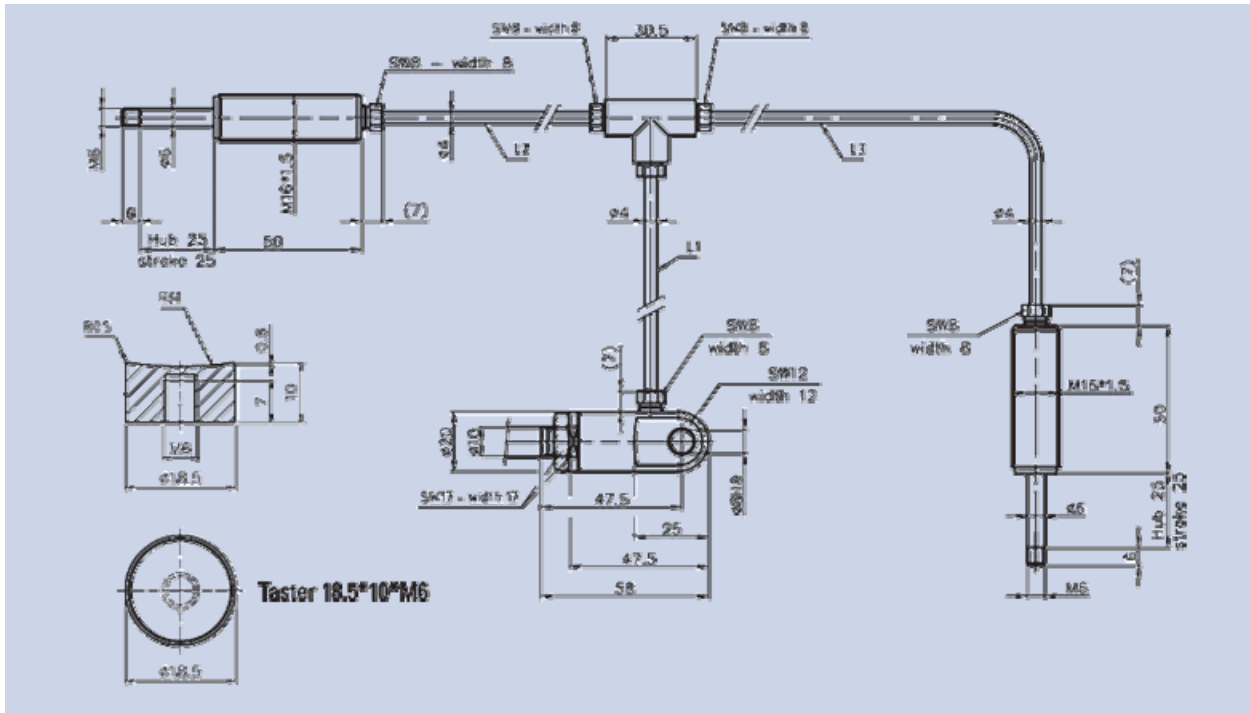
5.1 Classic hydraulic release



5.2 Classic hydraulic release system with 1 release cylinder for 2 gas springs

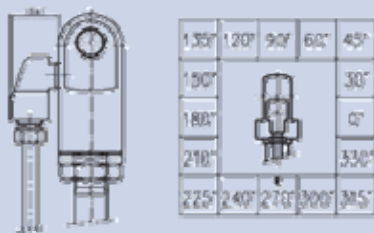


5.3 Classic hydraulic release system with 2 release cylinders for one gas spring



Accessories

Angular connector at the release head 20KNXXU04



Nuts XXMUM16*1.5*5.5

